

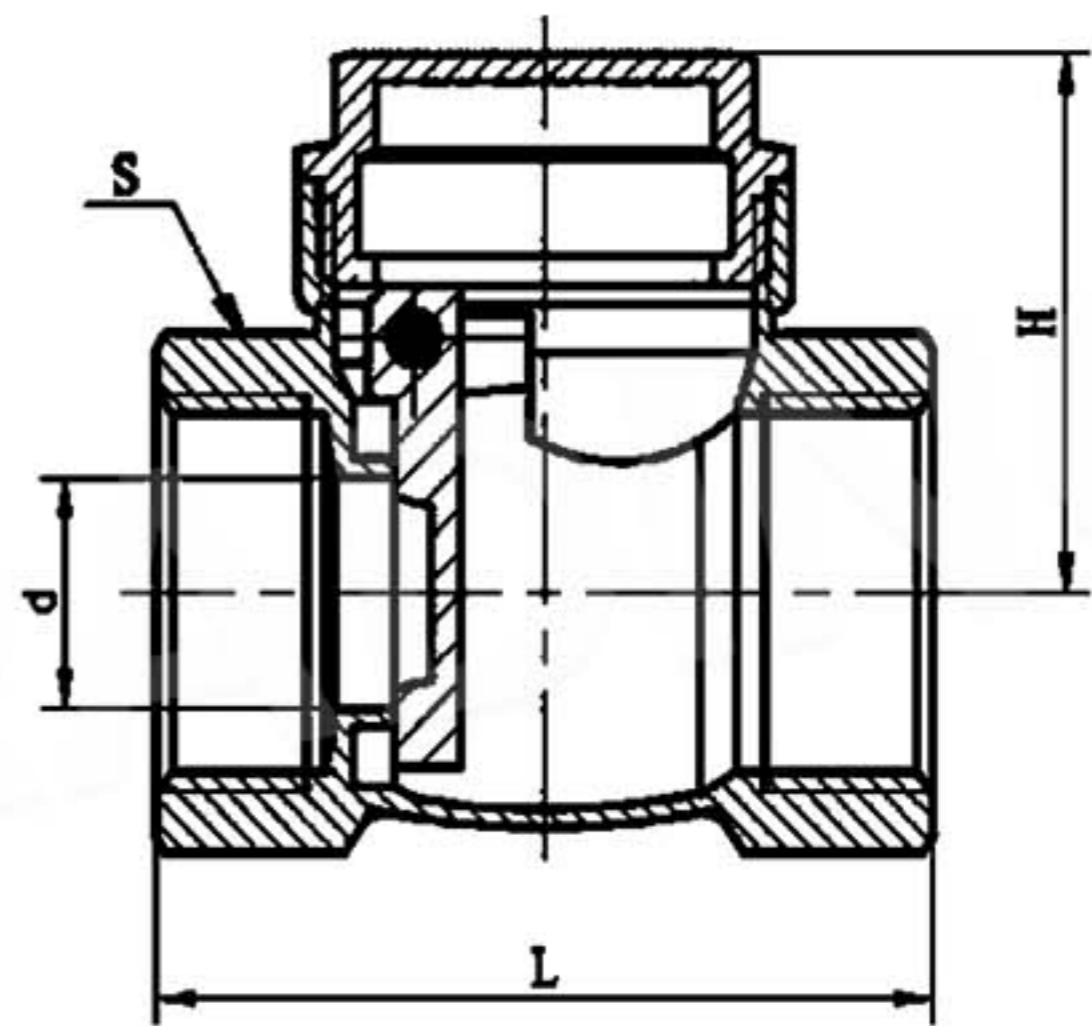
CHECK VALVE



BRASS SWING CHECK VALVE SCREWED ENDS

FEATURE AND APPLICATION

- ◆ Pipe Thread To ISO228
- ◆ The valve are designed to prevent reverse flow automatically
- ◆ T-Pattern
- ◆ Swing type disc
- ◆ Screwed-in cover
- ◆ Applicable Medium : Water, Oil, Gas
- ◆ Screwed end BSPT Connection
- ◆ Max.Working Pressure : 232 PSI (16 Bar)
- ◆ Max.Working Temperature : -10°C To 110°C
- ◆ Size Range : 1/2" - 4"



Bill of Materials

Sequence	Description	Material	Sizes
1	Body	Brass CW617N	All
2	Cap	Brass CW614N	All
3	Disc	Brass CW614N	All
4	Hinge	Brass CW614N	All
5	Hinge Pin	Stainless Steel 2CR13	All

Dimensions

		mm		
DN	INCH	L	H	d
15	1/2"	46.5	33	12
20	3/4"	52	35	17
25	1"	62	41.5	22
32	1.1/4"	69.5	49.5	28
40	1.1/2"	72	51.5	32
50	2"	83	58.5	41
65	2.1/2"	106	75	49
80	3"	136	84	68
100	4"	166	100.5	91